

PRODUCT INFORMATION PACKET

Model No: 5KCP49UN9837S

Catalog No: F780

1/2 HP General Purpose Farm Duty Motor, 1 phase, 900 RPM, 208-230 V, 56Y Frame, TENV
Single Phase Farm Duty Motors



Regal and Marathon are trademarks of Regal Beloit Corporation or one of its affiliated companies.
©2020 Regal Beloit Corporation, All Rights Reserved. MC017097E

REGAL

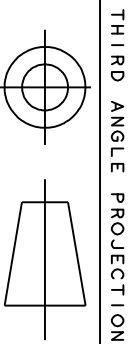
Nameplate Specifications

Output HP	0.50 Hp	Output KW	0.37 kW
Frequency	60 Hz	Voltage	208-230 V
Current	3.7-3.6 A	Speed	850 rpm
Service Factor	1	Phase	1
Efficiency	60.7 %	Power Factor	0
Duty	Continuous	Insulation Class	B
KVA Code	C	Frame	56Y
Enclosure	Totally Enclosed Non Ventilated	Thermal Protection	AUTO
Ambient Temperature	40 °C	Drive End Bearing Size	6203
Opp Drive End Bearing Size	6203	UL	Recognized
CSA	Yes	CE	N

Technical Specifications

Electrical Type	Permanent Split Capacitor(PSC)	Starting Method	N/R
Poles	8	Rotation	Counterclockwise
Mounting	Round	Motor Orientation	ANY
Drive End Bearing	BALL	Opp Drive End Bearing	Ball
Frame Material	Rolled Steel	Overall Length	11.91 in
Frame Length	7.68 in	Shaft Diameter	0.630 in
Shaft Extension	1.88 in		
Outline Drawing	52A107893P1	Connection Drawing	113A377

This is an uncontrolled document once printed or downloaded and is subject to change without notice. Date Created:03/11/2020



THIRD ANGLE PROJECTION

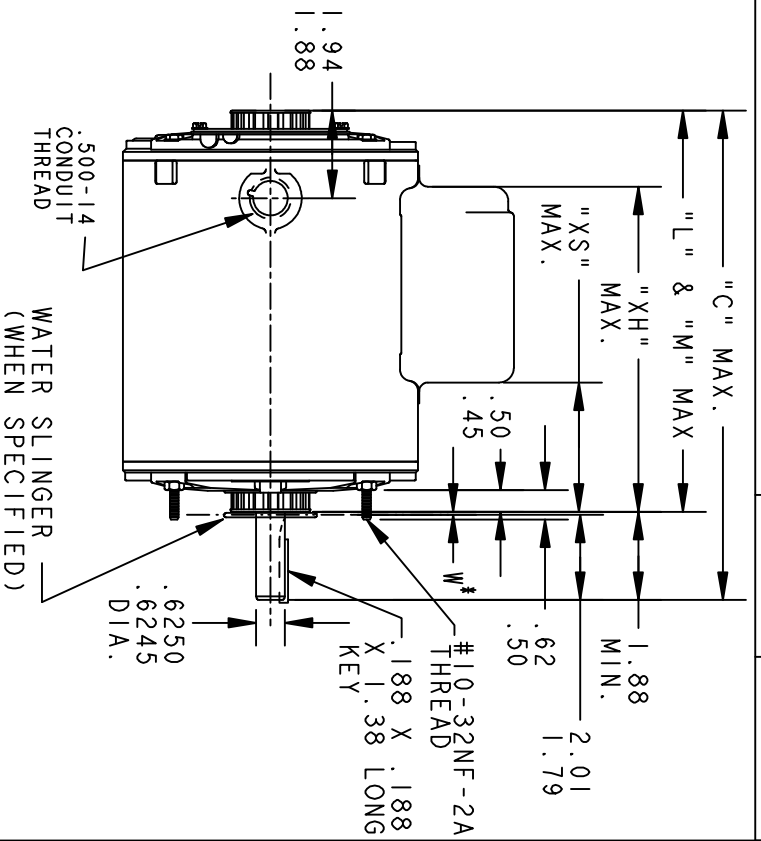
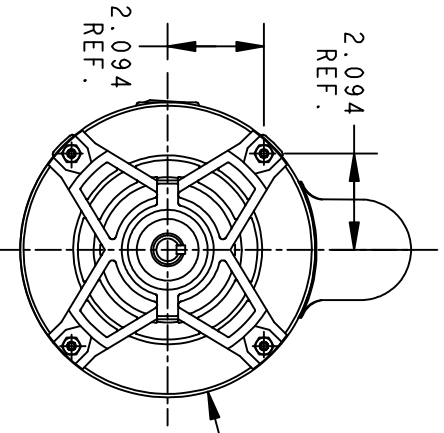
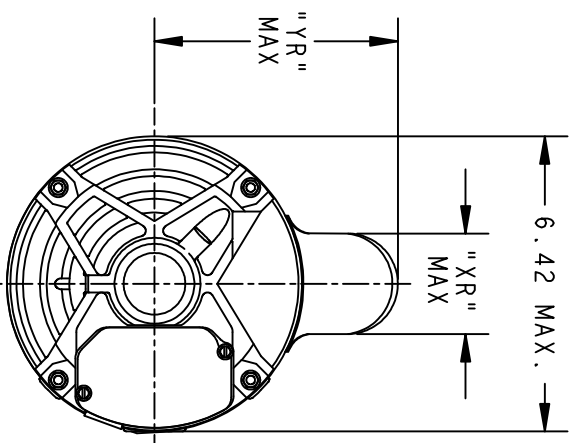
REVISIONS

REV.	DESCRIPTION	DATE	APPROVED
2	CLAMP SCREW EXT. CHANGED PER IS10-4432.	11/08/10	KARTHIK

52A107893

REV 2 SHEET 1

SIZE A DRAWING NO.



VIEW OF P.E. END SHIELD

* W IS A VARIABLE CLEARANCE DUE TO VARIATIONS IN PARTS AND ASSEMBLY

ALL DIMENSIONS ARE IN INCHES

P	TYPE	GE SIZE	NEMA FR.	"C"	L&M	"XH"	"YR"	"XR"	"XS"	MIN. SHELL
1	KCP	49	56	11.91	10.01	8.27	4.68	2.15	2.57	7.68

SIGNATURES			DATE
MODEL	M.M.E.		02/24/94
DETAIL			
CHECKED			
ENGRG			
MFG			

REGAL-BELOIT CORPORATION

OUTLINE

GENERAL PURPOSE MOTOR TENV - BALL BEARING
EXTENDED CLAMP SCREWS FMF - 40 FRAME REDESIGN SKCP49UN8065

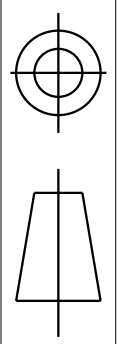
SIZE A DRAWING 52A107893 REV 2

SCALE: 0.250 REF. No.: SHEET 1 OF 1

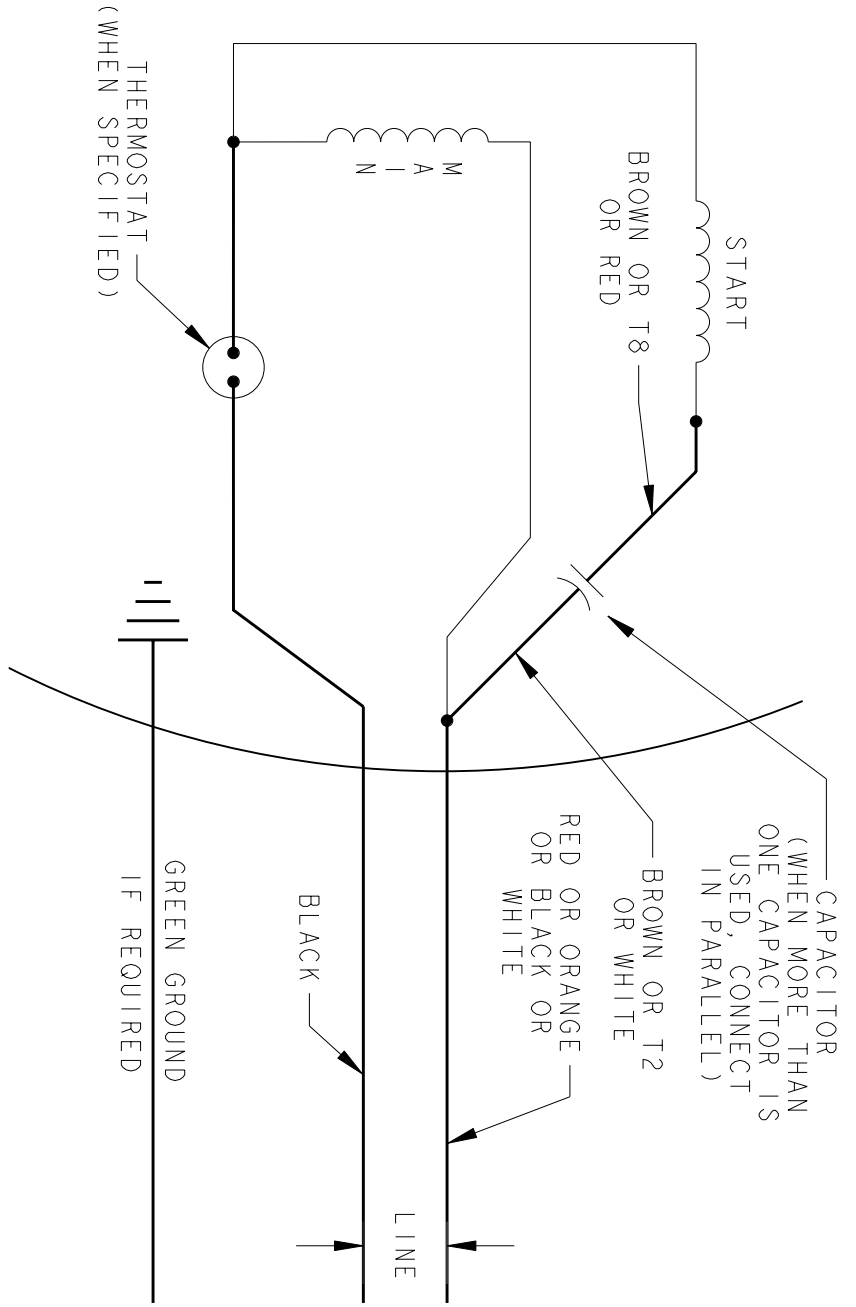
RBC PROPRIETARY AND CONFIDENTIAL INFORMATION
 This document is the property of REGAL-BELOIT CORPORATION ("RBC") including its subsidiaries and divisions and contains proprietary information of RBC. This document is loaned on the express condition that neither the recipient nor any other person shall disclose or disseminate the information contained herein and shall return the document to RBC upon request. This document shall be returned to RBC upon its request. This document may be subject to certain restrictions under U.S. export control laws and regulations.

REVISIONS		DATE	APPROVED
REV.	DESCRIPTION		
11	RETRACED ON CAD, NO CHGS.	11/20/98	M.D. PAPE
12	CHG TO RBC FORMAT PER IS05-1777	06/13/06	SUDHA

THIRD ANGLE PROJECTION



SET ROTATION - SINGLE VOLTAGE - TYPE KCP



FOR ADDITIONAL INFO REFER TO:	SIGNATURES	DATE
APPLIED PRACTICES	MODEL D.E. MORRIS	02/21/55
DIMENSIONS ARE IN INCHES	DETAIL	
TOLERANCE ON:	CHECKED	
1 PL DECIMALS ± 0.1	ENGRG	
2 PL DECIMALS ± 0.02	MFG	
3 PL DECIMALS ± 0.005	QUALITY	
ANGLES ± 1.0	ISSUED	11/20/98
FINISH	M.D. PAPE	
MATERIAL	SOLID MODEL: 113A377	



REGAL-BELOIT CORPORATION

CONNECTION DIAGRAM

TITLE	SIZE	DRAWING	SCALE: 1.000	REF. No.:	SHEET 1 of 1
	A				REV 12